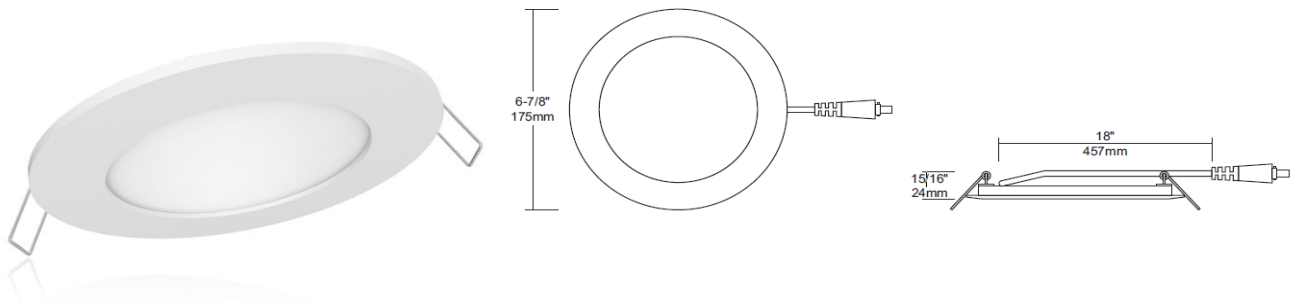


**TSP-22**  
**6" Super-thin Round LED**  
**Recessed Panel Light**

<b>Catalog #</b>		<b>Prepared by</b>	Top Star Hitech Hong Kong
<b>Project</b>		<b>Date</b>	
<b>Notes</b>			



**6" Super-thin Round LED Recessed Panel Light**

**Description**

This ultra thin recessed LED Panel is absolutely perfect for tight spaces, soffits and insulated and dropped ceilings.

Recessed 6" round LED panle with integral driver In connection box. Fits where no other recessed fixture can.

This LED is 12 watts and replaces a 65 watt halogen Save up to 80% energy for same light output.

The thin Panel profile with spring clips allows for quick and easy installation. Ideal for confined spaces and suitable for damp locations

**Features**

Available in all 6" round openings.

Retrofit or New Construction

Install Directly Under Joists, Maximum Layout Flexibility

Comes with Junction Box & Driver, No Housing Required

Fast & Easy To Install

A    B    C    D    E

**Item No.: TSP-22**

<u>A</u>	Series
BL6-301	6" Round Recessed LED Panel
<u>B</u>	Input Voltage
	120V
277	277V
U	120-347V
<u>C</u>	Color Temperature
27	2700K
30	3000K
40	4000K
<u>D</u>	Dimmable
	Non-Dimmable
DM	Dimmable

**Topstar**  
Hitech

PANEL LIGHT

 <b>Top Star Hitech Limited</b> Unit 31, 2/Floor, Mirador Mansion 58 Nathan Road, Tsim Sha Tsui Kowloon, Hong Kong	TEL: +852 2359 9006 (Office)	Website: www.topstarhitech.com
	TEL: +1 778 779 2357 (Mobile)	
	TEL: +852 6948 1239 (WhatsApp)	
	E-mail: info@topstarhitech.ca	

## Mounting

Cut Hole In Ceiling And Snap Fixture In Opening With Attached Spring Clips. 2" Above Ceiling Clearance Required For Driver.

## Specification

Applications	Recessed Ceiling Mount
Wattage	13W
Light Output	1100lm
CRI	80+
CCT	2700K-4000K
Driver Input	120V AC or 277V-347V AC 50/60 Hz
Power Factor	0.98
Dimming	TRIAC Dimmers 10%-100% (120V only)
Location	Insulated Ceiling & Damp Locations
Lifespan	50,000 Hours at 70% Light Output
Certification	ETL
Warranty	5 Year Limited for Fixture & Driver

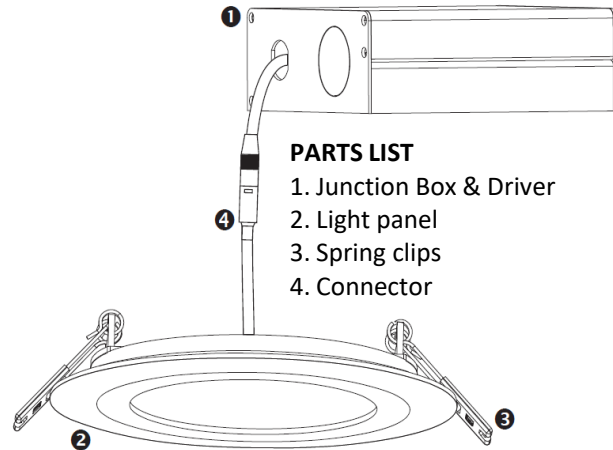
## Packing

CTN Size:480X375X205mm  
 Inner Box Size: 180X75X180mm  
 12PCS/CTN

## Installation Instructions

1. Turn power OFF from the electrical panel prior to installation.
2. Determine the location for installation and cut ceiling hole in accordance with cut-hole dimensions. Refer to *Hole Diameter* table for appropriate sizes. (Fig. 1)
3. Open the junction box cover and remove the appropriate knockout(s) on the side panel. (Fig. 2)
4. Insert the electrical supply cable through the knockout and secure with a cable connector (sold separately).
5. Using quick-connect push-in terminals, connect the ground wire to the green wire terminal; black wire to black wire terminal; white wire to white wire terminal. (Fig. 2)

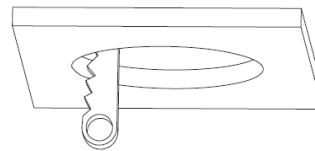
E	Finish
WH	White
BK	Black
SN	Satin Nickel



### PARTS LIST

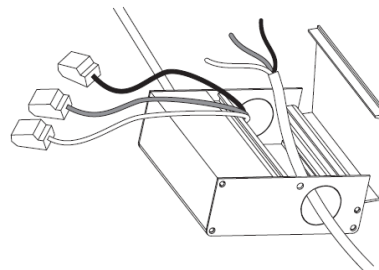
1. Junction Box & Driver
2. Light panel
3. Spring clips
4. Connector

Fig. 1



Hole diameter/Diamètre de perforation:	
PROF40 (4")	4 1/4" ± 1/8" (110 ±)
PROF60 (6")	6 5/16" ± 1/8" (160 ± 3mm)

Fig. 2



### Top Star Hitech Limited



Unit 31, 2/Floor, Mirador Mansion  
 58 Nathan Road, Tsim Sha Tsui  
 Kowloon, Hong Kong

TEL: +852 2359 9006 (Office)

TEL: +1 778 779 2357 (Mobile)

TEL: +852 6948 1239 (WhatsApp)

E-mail: info@topstarhitech.ca

Website: www.topstarhitech.com

6. Place all wiring and connections back in to the box and close the cover. Connect the driver to the light panel.

7. Insert junction box through the mounting hole. (Fig. 3)

8. Push spring-loaded clips on the fixture upwards and insert fixture base in to the mounting hole. Release the clips and fixture will be pulled flush to the ceiling. (Fig. 4)

Fig. 3

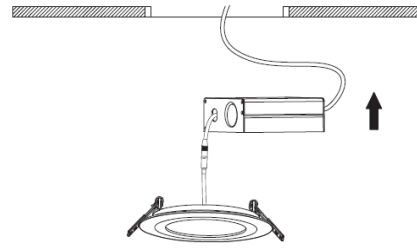
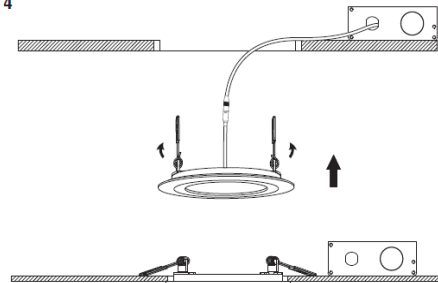


Fig. 4



**Top Star Hitech Limited**



Unit 31, 2/Floor, Mirador Mansion  
58 Nathan Road, Tsim Sha Tsui  
Kowloon, Hong Kong

TEL: +852 2359 9006 (Office)

TEL: +1 778 779 2357 (Mobile)

TEL: +852 6948 1239 (WhatsApp)

E-mail: info@topstarhitech.ca

Website: www.topstarhitech.com