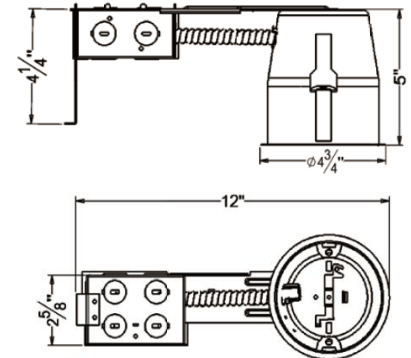


TSL-21
4 inch Remode IC Recessed Housing

Catalog #		Prepared by Top Star Hitech Hong Kong	
Project		Date	
Notes			



4 inch Remodel NON-IC Recessed Housing

Housing

- 1) Die-formed aluminum for maximum heat dissipation and rust protection
- 2) Designed for remodel installations
- 3) Housing can be installed in 1/2" to 1-3/8" thick ceilings.
- 4) Housing is IC rated must be kept at least 3" away from insulation

Junction Box

- 1) ETL listed for through branch wiring
- 2) 2 in-2 out or 4 in-4 out J-box for your better choices
- 3) Designed for straight through conduit runs
- 4) 1/2" and 3/4" romex wiring knockouts

Lamp

See trim for max. wattage and lamp
 CRI>80%
 PF>0.9
 Color Temperature:2700K-6500K

Listing

ETL listed for damp location W/Feed through

Other Special requirement please confirm with factory

Order Matrix

A	B	C	D	E
----------	----------	----------	----------	----------

Item No.:TSL-21

A	Series
TSL-21	4"/Remodel Non-IC Housing

B	Input Voltage
	120V
277	277V

C	Lamp
P16	PAR16
P20	PAR20
R20	R20
GU10	GU10

D	Wattage
L8	LED 8W
L10	LED 10W
E	Color Temperature
27K	2700K
35K	3500K
50K	5000K
60K	6000K

Topstar
 Hitech
 RECESSED DOWNLIGHT

RECESSED DOWNLIGHT

Top Star Hitech Limited Unit 31, 2/Floor, Mirador Mansion 58 Nathan Road, Tsim Sha Tsui Kowloon, Hong Kong	TEL:+852 2359 9006 (Office) TEL:+1 778 779 2357 (Mobile) TEL:+852 6948 1239(WhatsApp) E-mail:info@topstarhitech.com	Website:www.topstarhitech.com
	TEL:+852 2359 9006 (Office) TEL:+1 778 779 2357 (Mobile) TEL:+852 6948 1239(WhatsApp) E-mail:info@topstarhitech.com	

4" TRIM OPTIONS



TSL-51/4 Inch Baffle Trim
Lamp: R20/PAR20 35W max
PAR20 LED 8W max E26 Base



TSL-28/4 Inch Gimbal Trim
Lamp: R20/PAR20 50W max
PAR20 LED 8W max E26 Base

Topstar
Hitech

RECESSED DOWNLIGHT



TSL-52/4 Inch Reflector Trim
Lamp: R20/PAR20 35W max
PAR20 LED 8W max E26 Base



TSL-53/4 Inch Shower Reflector Trim Frosted lens Clear in Centre
Lamp: R20/PAR20 50W max
PAR20 LED 8W max E26 Base



TSL-54/4 Inch Shower Trim with Frosted Lens
Lamp: R20/PAR20 35W max
PAR20 LED 8W max E26 Base



TSL-55/4 Inch Square Baffle Trim
Lamp: R20/PAR20 50W max
PAR20 LED 8W max E26 Base

Top Star Hitech Limited



Unit 31, 2/Floor, Mirador Mansion
58 Nathan Road, Tsim Sha Tsui
Kowloon, Hong Kong

TEL:+852 2359 9006 (Office)
TEL:+1 778 779 2357 (Mobile)
TEL:+852 6948 1239(WhatsApp)
E-mail:info@topstarhitech.ca

Website:www.topstarhitech.com

RE



TSL-56/4 Inch Gimbal Trim
Lamp: Par20 50W max.
Par20 LED 8W max.



TSL-57/4 Inch Shower Baffle Trim with Frosted Lens
Lamp: R20/PAR20 35W max.
PAR20 LED 8W max E26 Base



TSL-58/4 Inch Shower Reflector with Dome Lens
Lamp: R20/PAR20 35W max.
PAR20 LED 8W max E26 Base



TSL-59/4 Inch Square Reflector Trim
Lamp: R20/PAR20 35W max.
PAR20 LED 8W max E26 Base



TSL-60/4 Inch Shower Baffle Trim with Fresnel Lens
Lamp: R20/PAR20 35W max.
PAR20 LED 8W max E26 Base



TSL-36/4 Inch Shower Baffle Trim with Albalite
Lamp: R20/PAR20 LED E26 8W Max.
Gasket used to prevent moisture
Wet location listed

Top Star Hitech Limited



Unit 31, 2/Floor, Mirador Mansion
58 Nathan Road, Tsim Sha Tsui
Kowloon, Hong Kong

TEL:+852 2359 9006 (Office)
TEL:+1 778 779 2357 (Mobile)
TEL:+852 6948 1239(WhatsApp)
E-mail:info@topstarhitech.ca

Website:www.topstarhitech.com



TSL-34 1/4 Inch Shower Baffle Trim with Blasted Lens
Lamp: R20/PAR20 LED E26 8W Max.
Gasket used to prevent moisture
Wet location listed



TSL-61 1/4 Inch Square Reflector Trim
Lamp: R20/PAR20 50W max
PAR20 LED 8W max E26 Base

Topstar
Hitech



TSL-62 1/4 Inch Shower Reflector Trim with Fresnel Lens
Lamp: R20/PAR20 35W max
Gasket used to prevent moisture
Wet location listed



TSL-63 1/4 Inch Square Baffle Reflector Trim
Lamp: R20/PAR20 35W max.
PAR20 LED 8W max E26 Base



Top Star Hitech Limited



Unit 31, 2/Floor, Mirador Mansion
58 Nathan Road, Tsim Sha Tsui
Kowloon, Hong Kong

TEL: +852 2359 9006 (Office)
TEL: +1 778 779 2357 (Mobile)
TEL: +852 6948 1239 (WhatsApp)
E-mail: info@topstarhitech.ca

Website: www.topstarhitech.com